



DMX SERIES PANEL

OVERVIEW

The NexLight® DMX Series lighting control panel provides control of DMX controllable lighting by combining two powerful and reliable control systems, Pharos Architectural and NexLight. The DMX Series provides versatile control as a standard offering from NexLight, with configurations available in 1, 2 or 4 universes. These lighting control panels come in a NEMA/Type 1 enclosure and are factory wired in NexLight's UL508A shop, ready to accept DMX control cable (Belden 9841). Networking multiple panels together using the global addressing feature provides seamless control from a single platform allowing for full integration between DMX fixtures and traditional lighting fixtures. The easy-to-use Graphic User Interface (GUI) may be accessed through a Personal Computer (PC) for real-time programming, monitoring and override of your traditional lighting loads or DMX timelines. The scheduling function is also accessed through the GUI and provides the end user with full control of the system whether on-site or from a remote location.

FEATURES

- Includes a comprehensive set of pre-loaded timelines
- The power of Pharos Architectural combined with the reliability of NexLight
- Full Integration of DMX Lighting with Traditional Building Lighting
- Fixture brand agnostic programming capabilities
- BACnet connectivity for BMS available by adding NXL-BMS accessory panel
- Graphic User Interface via PC with built-in Real-Time-Clock for scheduling

AVAILABLE PANEL CONFIGURATIONS:

NXL-DMX1	NexLight DMX Series Panel, 1 Universe Control
NXL-DMX2	NexLight DMX Series Panel, 2 Universes Control
NXL-DMX4	NexLight DMX Series Panel, 4 Universes Control

SPECIFICATIONS

Physical

NEMA/Type:	1
Mounting:	Surface Mount
Operating Temp:	32° to 122°F (0°C to 55°C)

Electrical (Control Wiring)

Output Signal:	±24VAC, 500mA
Input Signal:	24VAC, Class II
Ethernet:	10/100 Ethernet TCP/IP Modbus TCP (BACnet via NXL-BMS) Requires UPT Cable Category 5 or greater
Max # of units:	250 (Ethernet)

LPC Output

DMX512:	2 Ports (max 512 channels per universe) USITT E1.11-2008
RDM:	Supports discovery and addressing via Designer Software
sACN:	USITT E1.31 (with per fixture priority) standard
Pathport:	Pathway Connectivity Protocol
Scalable:	Synchronizes with up to 40 Pharos Designer Controllers over network
Simultaneous:	Multiple protocols may operate simultaneously Limited by patched channels, not universes used
**Other Outputs:	Contact NexLight for Details

NETWORKABLE WITH:

NexLight R Series Relay Panels
 NexLight D Series Dimming Panels
 Custom NexLight Network Lighting Control Systems
 NXL-BMS BACnet Protocol Conversion Panel for Building Management System (BMS) Integration (12"H x 12"W x 6"D)

**See individual specification sheet for more information.

PRECONFIGURED TIMELINES

The below list of timelines are preconfigured timelines in the Pharos device. There is a total of 52 preconfigured timelines with the availability to configure up to 71 total timelines. All NexLight DMX Series panels come preconfigured to control all available timelines within the Pharos device.

Full White	Amber	Valentines Day	New Years
White	Gold	St. Patricks Day	MLK Day
Cool White	Light Green	Easter	Rainbow 1
Warm White	Green	Mardi Gras	Rainbow 2
Magenta	Dark Green	Red White Blue	Rainbow 3
Light Pink	Light Blue	Cinco de Mayo	Daily
Hot Pink	Blue	Halloween	Scene 2
Pink	Navy Blue	Thanksgiving	Scene 3
Red	Indigo	Hanukkah	Scene 4
Light Orange	Teal	Christmas 1	Scene 5
Dark Orange	Aqua	Christmas 2	Scene 6
Coral	Purple	Earth Day	Scene 7
Yellow	Lavender	Juneteenth	All Off

PRECONFIGURED SCHEDULES

The below list of schedules are preconfigured within the NexLight DMX Series panel to provide a basic holiday schedule listing to set up facility control. These schedules can be easily enabled or disabled and set to control any of the preconfigured timelines listed above.

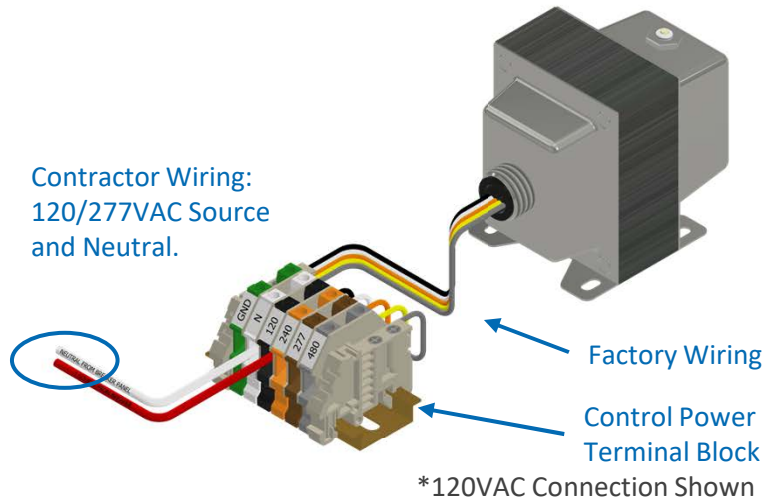
All Off	Earth Day	Independence Day	Veterans Day
Daily	Cinco de Mayo	Labor Day	Thanksgiving
Martin Luther King Jr Day	Memorial Day	9/11	Christmas Eve
Valentines Day	Flag Day	Mexican Independence Day	Christmas Day
St. Patricks Day	Juneteenth	Halloween	New Years Eve

DMX SERIES

LIGHTING CONTROL PANEL



DMX Control Cable (Belden 9841)



APPLICATION OVERVIEW

The NexLight® DMX Series lighting control panel provides control of DMX controllable lighting by combining two powerful and reliable control systems, Pharos Architectural and NexLight. The DMX Series provides versatile control as a standard offering from NexLight, with configurations available in 1, 2 or 4 universes. These lighting control panels come in a NEMA/Type 1 enclosure and are factory wired in NexLight's UL508A shop, ready to accept DMX control cable (Belden 9841). Networking multiple panels together using the global addressing feature provides seamless control from a single platform allowing for full integration between DMX fixtures and traditional lighting fixtures. The easy-to-use Graphic User Interface (GUI) may be accessed through a Personal Computer (PC) for real-time programming, monitoring and override of your traditional lighting loads or DMX timelines. The scheduling function is also accessed through the GUI and provides the end user with full control of the system whether on-site or from a remote location.

APPLICATION HIGHLIGHTS

- Includes a comprehensive set of pre-loaded timelines and schedules
- The power of Pharos Architectural combined with the reliability of NexLight
- Full Integration of DMX Lighting with Traditional Building Lighting
- Fixture brand agnostic programming capabilities
- BACnet connectivity for BMS available by adding *NXL-BMS* accessory panel
- Graphic User Interface through a PC with a built-in Real Time Clock (RTC) for scheduling